

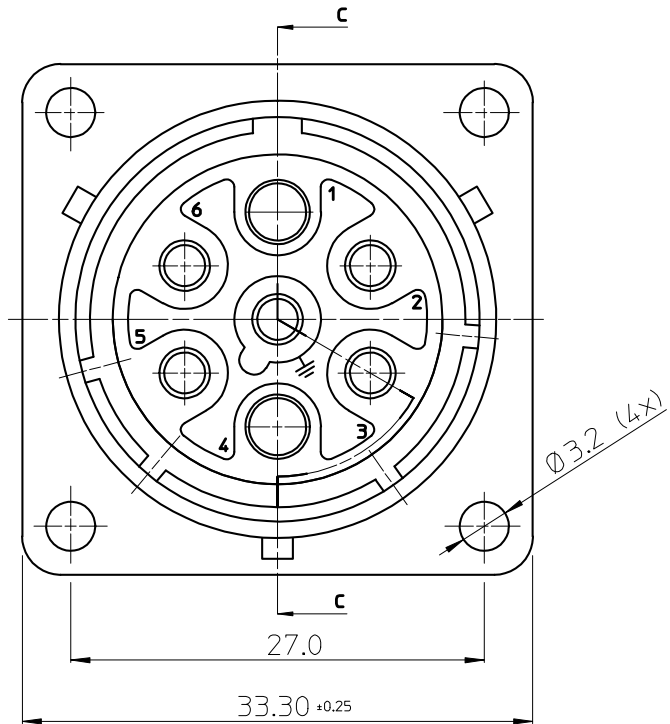
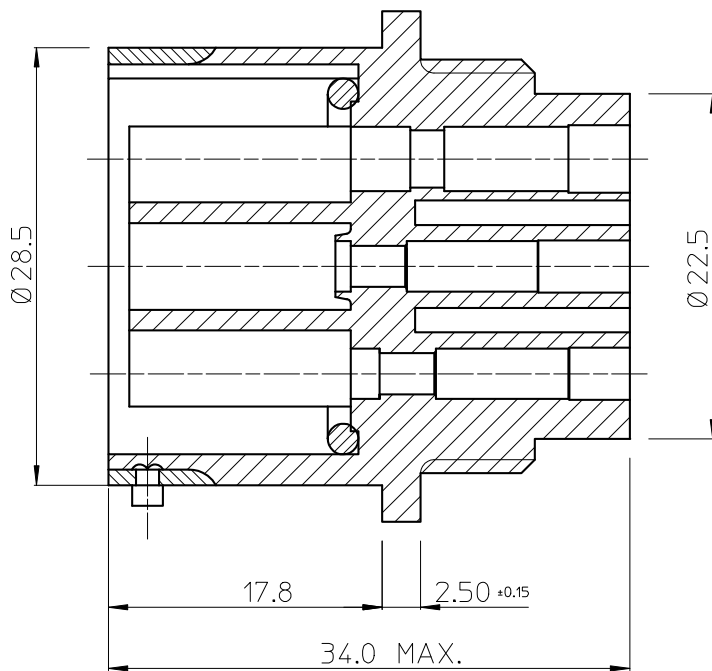
DIT IS ONZE EIGENDOM EN MAG NOCH NAGEMAAKT, HERDRUKT, OVERGEMAAKT AAN DEREN, NOCH VOOR FABRIKATIE GEBRUIKT WORDEN, ZONDER ONZE SCHRIFTELIJKE TOELATING. BIJ NIET GEBRUIK IS DE TERUGZENDING VERPLICHT.

THIS IS OUR EXCLUSIVE PROPERTY. IT IS NOT TO BE COPIED, REPRINTED OR DISCLOSED TO A THIRD PARTY, NOR USED FOR MANUFACTURING WITHOUT OUR WRITTEN CONSENT. AND HAS TO BE RETURNED TO US IN CASE OF NO USAGE

REV.	DATE	DESCRIPTION	BY	C'K'D'
00	16/11/07	FIRST ISSUE	R.Ch	

SECTION C-C

MATING FACE



MATERIAL :

- BODY : GLASS-FILLED POLYESTER, COLOUR BLACK.
- TRILOK RING : HIGH STRENGTH CuZn ALLOY, NICKEL PLATED.

PERFORMANCE CHARACTERISTICS :

- OPERATING TEMPERATURE : -55°C TO +125°C.
- INSULATION RESISTANCE : 5000 M Ohm MIN.
- TEST POTENTIAL : 2000 V EFF.

NOTES :

- CONNECTOR ACCEPTS: Ø 2.4 MM MACHINED PIN CONTACTS IN POS. 1, 4.
Ø 1.6 MM PIN CONTACTS IN POS. 2, 3, 5, 6 AND 7.
- CONNECTOR ACCEPTS # 16 STRIP FORMED, MACHINED AND SUBMINIATURE COAXIAL PIN AND SOCKET CONTACTS AND # 12 MACHINED CONTACTS
- CONTACTS TO BE ORDERED SEPARATELY.
- FOR WATERPROTECTED VERSION: ADD "H" TO THE CAT.NO. E.G. CAT.NO.: UTG0187PH34

00

BS, A , 202140, 005

GEN. ST.	01	02	03	04	05	06	07	08	0D	50	60	70	80	90																	
INT. ST.	10	11	12	13	14	18	20	31	32	33	34	38	39	40	42	43	44	45	46	48	56	70	72	73	75	76	81	82	83	84	88
1DEC ±0,2 2DEC ±0,1 ANGLES ±1°	1DEC 2DEC HOEKEN	APPR.		DATE		SIGN.		MALE UTG187 REC. WITH 2 CONTACTS Ø2.4																							
WE RESERVE THE RIGHT TO CHANGE DIMENSIONS OR REQUIREMENTS WITHOUT PRIOR NOTICE.		DRAFT		16/11/07		ROUILLARD Ch		CAT. No. UTG0187P(H)34																							
ALL DIMENSIONS IN MM		CHECKED		PROD. MGR.		PR. ENG. MGR.		PR. MGT. MGR.												SOURIAU Route Nationale 23 72470 CHAMPAGNE								SCALE 2 : 1			
ALLE AFMETINGEN IN MM		REFERENCES / REFERENTIES		BS, A , 202140, 005 NOT EXPORT CONTROLLED																											
										DRAWING NR. CUSTOMER DRAWING REVISION																					